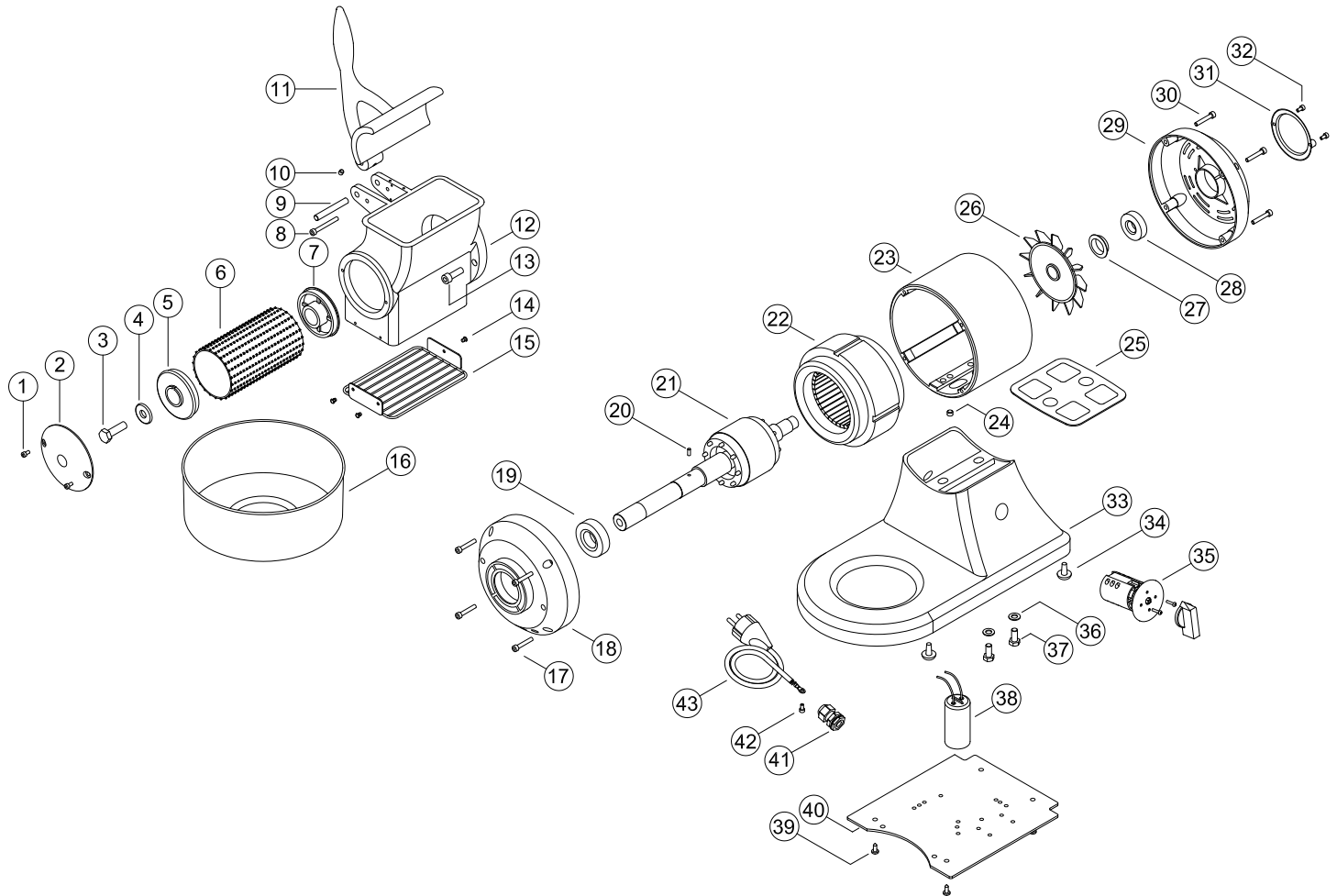


Parts Breakdown

Model GR-IT-0746 11402



Parts Breakdown

Model GR-IT-0746 11402

Item No.	Description	Position	Item No.	Description	Position	Item No.	Description	Position
15351	Screw 4x8 for 11402	1	17243	Pan for 11402	16	15352	Disc Locking ABS DA 80mm for 11402	31
15418	Plastic Front Cover 100mm for 11402	2	15353	Screw 5x30 for 11402	17	15351	Screw 4x8 for 11402	32
15419	Screw 10x35 for 11402	3	15433	Motor Cover - Front for 11402	18	15439	Base for 11402	33
15420	Washer 10x30x2 for 11402	4	15434	Bearing 6205 2RS for 11402	19	42904	Rubber Foot for 11402	34
17885	Drum Caps/Flange for 11402	5	17244	Key Lock 4x10mm for 11402	20	17701	Switch for 11402	35
17823	Drum for 11402	6	AD421	Rotor Shaft for 11402	21	70181	Washer 8x16x1.5 for 11402	36
17885	Drum Caps/Flange for 11402	7	15468	Stator 110V/60Hz for 11402	22	15440	Screw 8x25 for 11402	37
15423	Screw 5x45 for 11402	8	AD422	Engine Housing Open Banded for 11402	23	18657	Capacitor uF 40 for 11402	38
15424	Pin 8x57 for 11402	9	AD423	Wheat 8x6 for 11402	24	15412	Screw 4.8x12 for 11402	39
68924	Bead 6x6 for 11402	10	78010	Gasket Base for 11402	25	15411	Rubber Base Cover for 11402	40
15425	Aluminum Lever for 11402	11	15415	Fan for 11402	26	15437	Plug PG9/11 for 11402	41
15430	Drum Casing for 11402	12	15414	Ring for 11402	27	15351	Screw 4x8 for 11402	42
15410	Screw 8x22 for 11402	13	15381	Bearing 6203 ZZ for 11402	28	78013	Cable with Plug Mod. SCHUKO for 11402	43
15370	Rivet for 11402	14	15380	Back Motor Cover for 11402	29			
15431	Guard for 11402	15	15353	Screw 5x30 for 11402	30			